



Non-PF-Series

YD-100W

- Constant Voltage Power Supplies
- AC Input Voltage Range : 200~240VAC 60Hz
- IP68 For Outdoor Installations
- Protections(hiccup) : SCP, OCP
- Safety : K61347-1, K61347--2-13, K62384 compliant

KC No. : JH11522-18003



Input Specifications

parameter	Conditions/Description	Min	Nor	Max	Units
Input Voltage Range	<b>220VAC Input</b>	<b>200</b>	<b>220</b>	<b>240</b>	<b>VAC</b>
Input Frequency Range			<b>60</b>		<b>Hz</b>
Input Current	<b>100W Input</b>		<b>0.9</b>		<b>A</b>
Inrush Current	<b>At 220VAC VAC input, 25°C Cold start</b>			<b>30</b>	<b>A</b>

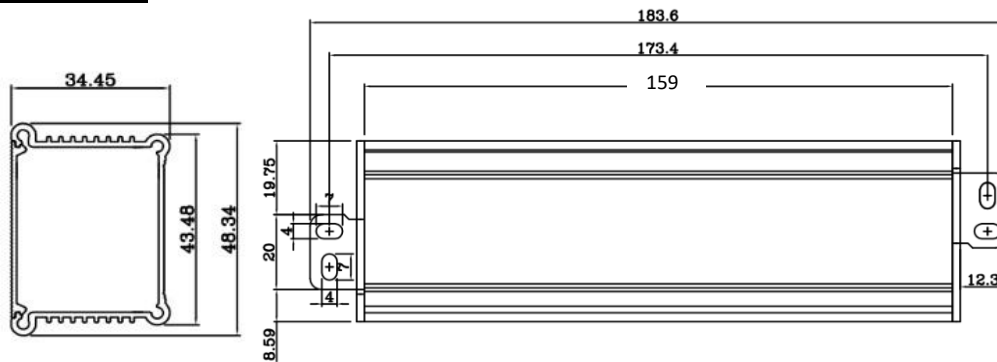
Output Specifications

parameter	Conditions/Description	12V	24V	Units
Output Current	<b>Full load (@45°C)</b>	<b>7.0(5.8)</b>	<b>3.5(2.9)</b>	<b>Ampere</b>
Voltage Accuracy	<b>% of Vout</b>	<b>±5</b>	<b>±5</b>	<b>%</b>
Line Regulation	<b>220Vac Full load</b>	<b>±5</b>	<b>±2</b>	<b>%</b>
Load Regulation	<b>220Vac Full load</b>	<b>±5</b>	<b>±2</b>	<b>%</b>
Ripple and Noise	<b>20MHz Bandwidth</b>	<b>500</b>	<b>1000</b>	<b>mV</b>
Turn-on Delay	<b>Measured at 220VAC and full load</b>	<b>2</b>	<b>2</b>	<b>s</b>
Short Circuit Protection	<b>Output shut down with auto-recovery</b>			

General Specifications

parameter	Conditions/Description	Min	Nor	Max	Units
Withstand Voltage	<b>Input to Case(10mA, 1Minute)</b>		<b>2,000</b>		<b>VAC</b>
Efficiency(Typical )	<b>See individual models</b>		<b>83.0</b>		<b>%</b>
Life time	<b>Load 80% at 30°C</b>		<b>32,000</b>		<b>Hours</b>
Weight			<b>420</b>		<b>g</b>
Operating Temperature		<b>-20</b>		<b>+ 40</b>	<b>°C</b>
Storage Temperature		<b>-30</b>		<b>+ 70</b>	<b>°C</b>
Relative Humidity	<b>Non-condensing (operating)</b>	<b>10</b>		<b>90</b>	<b>%RH</b>
Power Derating	<b>At 220VAC, derates linearly from 100% at 30°C to 80% at 50°C</b>				

DIMENSIONS



INPUT / OUTPUT WIRING  
 INPUT CABLE : VCTF 0.75mm<sup>2</sup> 3C / Blue(N) and Brown(L) Green(Earth),